



UNIVERSITY OF CAMBRIDGE INTERNATIONAL EXAMINATIONS
International General Certificate of Secondary Education

CANDIDATE
NAME

CENTRE
NUMBER

--	--	--	--	--

CANDIDATE
NUMBER

--	--	--	--



CHEMISTRY

0620/21

Paper 2

October/November 2011

1 hour 15 minutes

Candidates answer on the Question Paper.

No Additional Materials are required.

READ THESE INSTRUCTIONS FIRST

Write your Centre number, candidate number and name in the spaces at the top of this page.

Write in dark blue or black pen.

You may need to use a pencil for any diagrams, graphs or rough working.

Do not use staples, paper clips, highlighters, glue or correction fluid.

DO NOT WRITE IN ANY BARCODES.

Answer **all** questions.

A copy of the Periodic Table is printed on page 20.

At the end of the examination, fasten all your work securely together.

The number of marks is given in brackets [] at the end of each question or part question.

For Examiner's Use	
1	
2	
3	
4	
5	
6	
7	
8	
Total	

This document consists of **18** printed pages and **2** blank pages.



1 Chromatography can be used to test for the purity of substances.

(a) (i) Describe **one** area in everyday life where purity of substances is important.

..... [1]

(ii) Mineral water contains dissolved salts such as magnesium chloride.
Which one of the following statements about mineral water is correct?
Tick **one** box.

Mineral water boils at slightly above 100 °C.

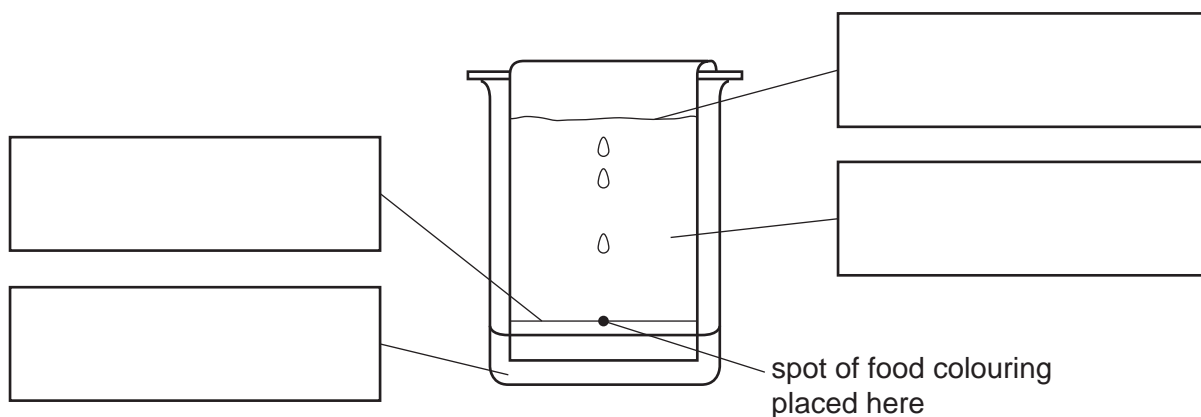
Mineral water is pure water.

Mineral water boils at exactly 100 °C.

Another name for mineral water is fizzy water.

[1]

(b) The diagram shows the apparatus used to separate different dyes in food colourings.

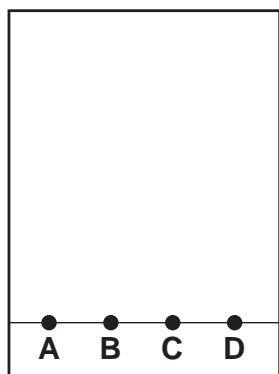


Label the diagram in the boxes provided using the words below.

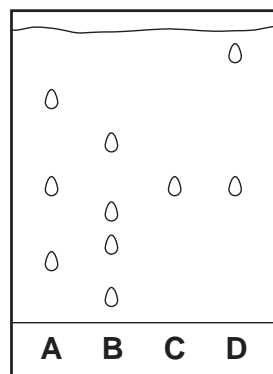
chromatography paper origin line solvent solvent front [2]

- (c) The diagram below shows the chromatography of four different food colourings, **A**, **B**, **C** and **D**.

*For
Examiner's
Use*



at the start of the experiment

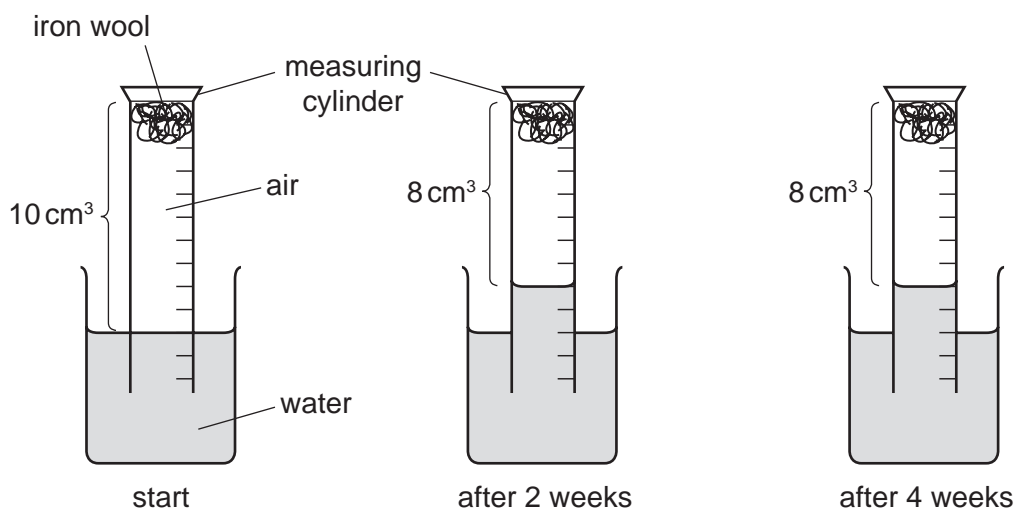


the final chromatogram

- (i) Which food colouring, **A**, **B**, **C** or **D**, contains only one dye? [1]
- (ii) Which **three** food colourings have one dye in common? [1]
- (iii) Which food colouring contains the greatest number of dyes? [1]

[Total: 7]

- 2 A student set up an experiment to demonstrate rusting as shown below. He made observations at the start of the experiment, after 2 weeks and after 4 weeks.



- (a) What conditions are needed for the iron wool to rust?

..... [2]

- (b) Two weeks after the start of the experiment, the volume of air in the measuring cylinder had decreased. After a further two weeks there was no change in the volume of air. Explain the results of this experiment.

.....

 [3]

- (c) What change would you observe in the iron wool as it rusted?

appearance at start

appearance after 2 weeks [2]

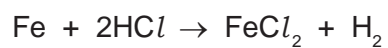
- (d) Rust contains iron(III) ions. Describe a test for iron(III) ions.

test

result [2]

5

(e) Clean iron reacts with dilute hydrochloric acid.



Write a word equation for this reaction.

..... [2]

[Total: 11]

For
Examiner's
Use

3 The diagram shows some of the elements in Period 3 of the Periodic Table.

For
Examiner's
Use

Na	Mg		Si	P	S	Cl	Ar
----	----	--	----	---	---	----	----

(a) From the diagram, choose

(i) **one** element which forms a basic oxide.

..... [1]

(ii) **two** elements which form acidic oxides.

..... and [2]

(b) Describe how metallic character of the elements changes across a period.

..... [1]

(c) What determines the order of the elements in the Periodic Table?

..... [1]

(d) The missing element in the table is aluminium.

(i) Describe the structure of an aluminium atom.

In your description write about

- the number and types of particles in the nucleus
- the electrons.

.....

 [4]

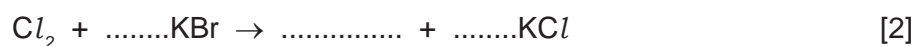
- (ii) Use the information in the table below to explain why aluminium is used in preference to iron or titanium for overhead electricity cables.
Give **two** reasons.

metal	electrical conductivity	density in g/cm ³	melting point /°C	strength	price in £/kg
aluminium	very good	2.7	660	fairly strong	24
iron	good	7.9	1535	strong	3
titanium	good	4.5	1660	very strong	104

.....

 [2]

- (e) Chlorine is a green gas.
 When chlorine is bubbled through an aqueous solution of potassium bromide, the solution turns orange.
 Complete the symbol equation for this reaction.



- (f) Argon is a noble gas which is denser than air.
 Which one of these statements about argon is correct?
 Tick **one** box.

Argon reacts rapidly with chlorine.

Argon is used for filling balloons.

Argon has a complete outer shell of valency electrons.

Argon has only two valency electrons in its outer shell.

[1]

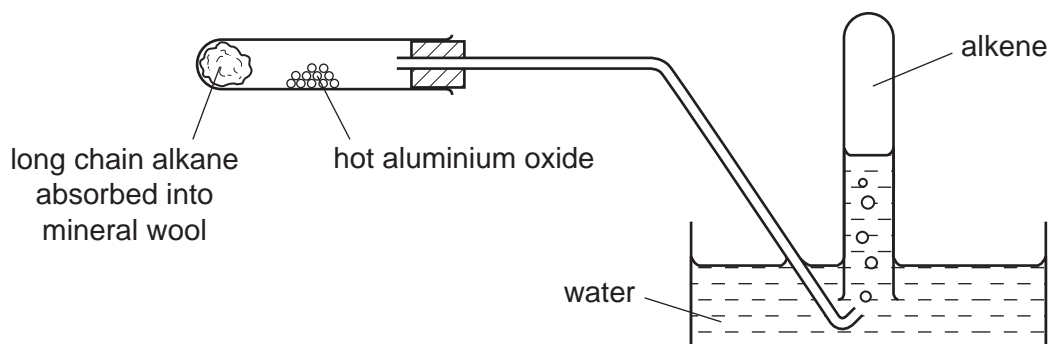
[Total: 14]

4 Ethane is a saturated hydrocarbon. Ethene is an unsaturated hydrocarbon.

(a) Describe how you can distinguish between ethane and ethene using aqueous bromine.

.....
 [2]

(b) The diagram shows the apparatus used to crack long chain alkanes into alkenes and shorter chained alkanes in the laboratory.



(i) State **two** conditions needed for cracking.

..... [2]

(ii) What information in the diagram shows that alkenes are insoluble in water?

..... [1]

(iii) Propene is an alkene.

The formula of propene is C_3H_6 .

Calculate the relative molecular mass of propene.

[1]

(iv) Complete the equation for the cracking of the alkane tetradecane, $C_{14}H_{30}$.



9

- (c) Poly(ethene) is formed from ethene monomers.
Select two words from the list that describe this reaction.

addition**condensation****dehydration****fermentation****neutralisation****polymerisation**

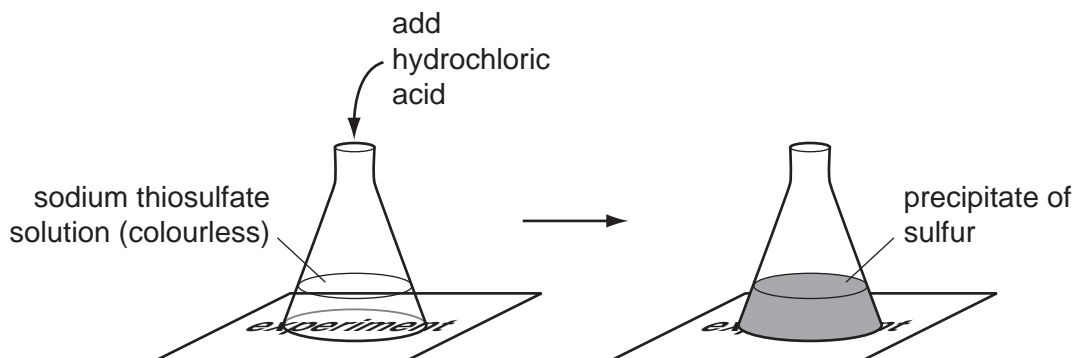
..... and [2]

[Total: 9]

*For
Examiner's
Use*

- 5 A pupil studied the effect of temperature on the speed of reaction of aqueous sodium thiosulfate with dilute hydrochloric acid.

When he added hydrochloric acid to a solution of sodium thiosulfate, a precipitate of sulfur gradually formed. He recorded the time taken for some writing placed under the flask to disappear from view.

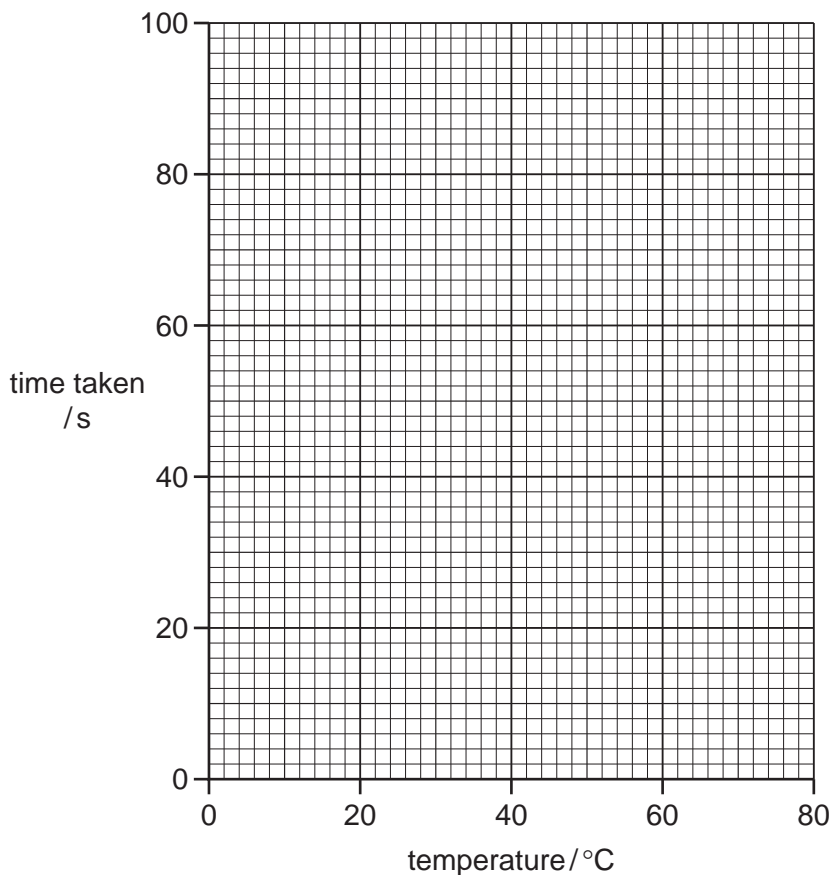


He repeated the experiment at different temperatures. The table shows his results.

temperature / °C	time taken for the writing to disappear from view / s
15	100
30	56
45	34
60	20
75	12

(a) (i) On the grid below, plot a graph of the time taken against temperature.

For
Examiner's
Use



[3]

(ii) At which temperature was the reaction the fastest?

..... [1]

(iii) Describe how the temperature affects the speed of reaction.

.....
..... [1]

(b) Suggest how the speed of this reaction at 30 °C will change when the concentration of hydrochloric acid is increased.

..... [1]

(c) The equation for the reaction is



(i) State the name of the salt formed in this reaction.

..... [1]

(ii) To which group in the Periodic Table does sulfur belong?

..... [1]

(iii) Sulfur dioxide is formed when coal is burnt in power stations.
State **one** harmful effect of sulfur dioxide on the environment.

..... [1]

(iv) Sulfur dioxide can be removed in power stations by flue gas desulfurisation.
Which one of these compounds is used to remove the sulfur dioxide in this process?
Tick **one** box.

calcium chloride

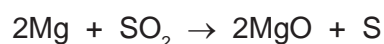
calcium oxide

nitrogen dioxide

potassium nitrate

[1]

(v) Magnesium burns in sulfur dioxide.



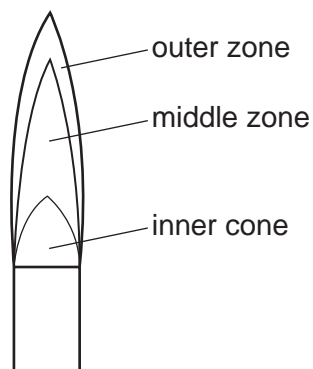
Refer to this equation to explain why this is a redox reaction.

.....
..... [2]

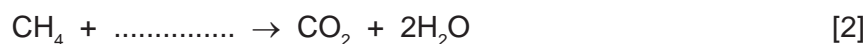
[Total: 12]

- 6 The diagram shows the flame from a Bunsen burner when its air hole is open.

For
Examiner's
Use



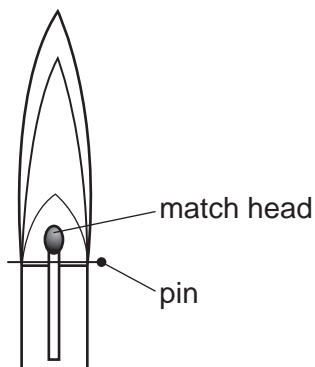
- (a) In the outer zone of the flame, methane undergoes complete combustion. Complete the equation for the complete combustion of methane.



- (b) In the middle zone of the flame, less air is present and incomplete combustion occurs. State the name of the poisonous gas formed during the incomplete combustion of methane.

..... [1]

- (c) The inner cone of the flame contains only unburnt methane. A student put a match in the Bunsen burner as shown in the diagram below. He then lit the Bunsen burner.

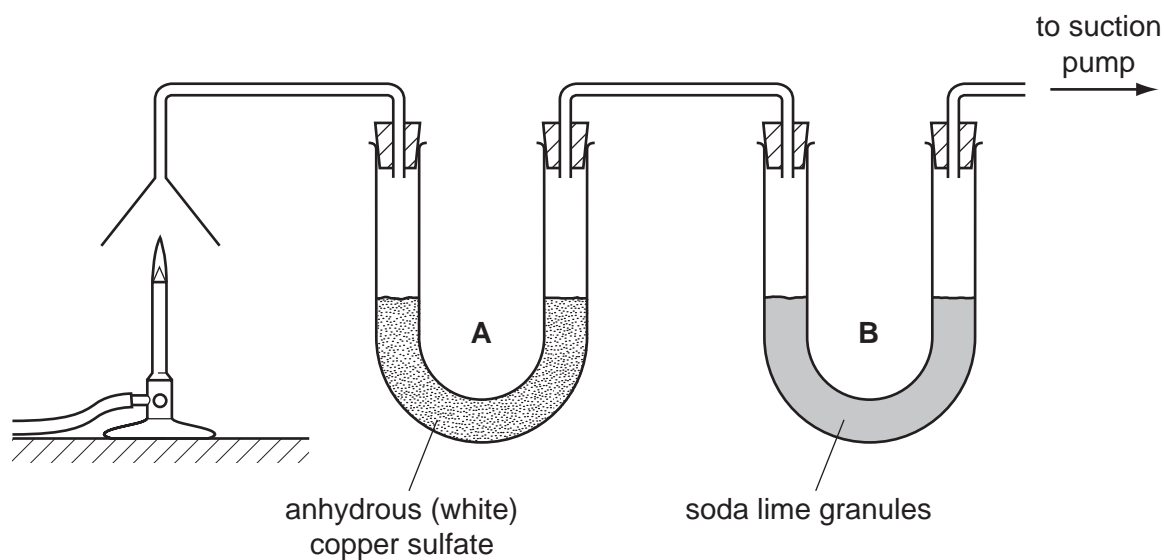


Suggest why the match did not catch fire.

..... [1]

- (d) The products of the complete combustion of methane were drawn through the apparatus shown below.

For
Examiner's
Use

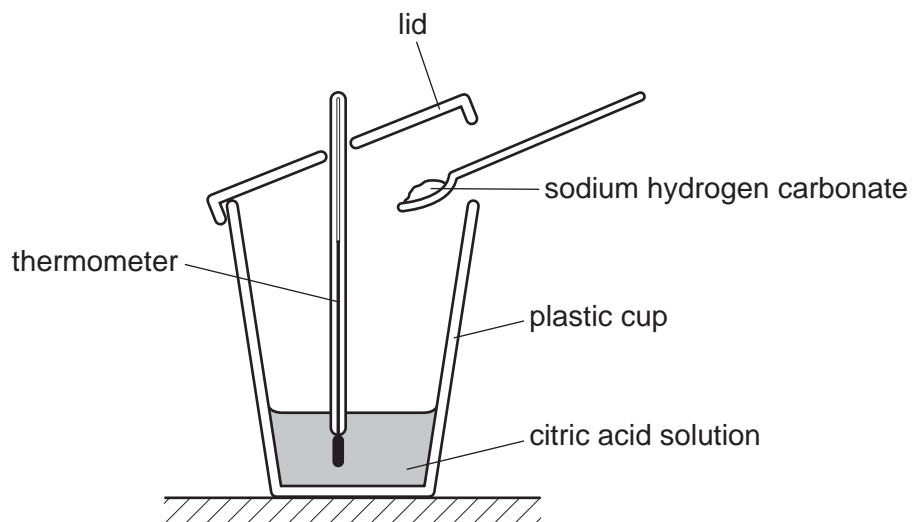


- (i) State the name of the substance that turned the white copper sulfate in tube **A**, blue.
..... [1]
- (ii) How could you change blue copper sulfate to white copper sulfate?
..... [1]
- (iii) The soda lime in tube **B** absorbs carbon dioxide.
State and explain what happens to the mass of the soda lime as the experiment proceeds.
.....
..... [1]
- (e) Methane is a greenhouse gas.
- (i) State **one** source of the methane in the atmosphere.
..... [1]
- (ii) State **one** effect of an increased concentration of methane in the atmosphere.
..... [1]

[Total: 9]

- 7 A student studied the reaction of citric acid with sodium hydrogen carbonate. She put a solution of citric acid in a plastic cup and measured its temperature. She then added sodium hydrogen carbonate powder and measured the temperature again.

For
Examiner's
Use



- (a) The temperature of the reaction mixture decreased.
Which one of these statements about this reaction is correct?
Tick **one** box.

The reaction released heat energy.

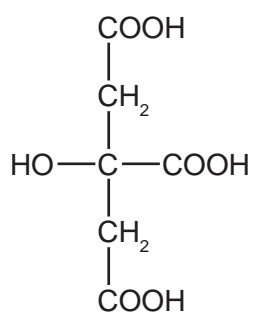
The reaction is exothermic.

The reaction is endothermic.

The products have less energy than the reactants.

[1]

- (b) The structure of citric acid is shown below.



- (i) On this structure, put a ring around the alcohol functional group. [1]
- (ii) Write the simplest formula for citric acid.

..... [1]

(c) Salts of citric acid can be prepared from lemon juice.

- (i) The lemon juice is first boiled to remove various substances including enzymes. What do you understand by the term *enzyme*?

.....
..... [2]

- (ii) The lemon juice is then neutralised with calcium carbonate and solid calcium citrate is formed. Suggest how the calcium citrate can be separated from the mixture.

..... [1]

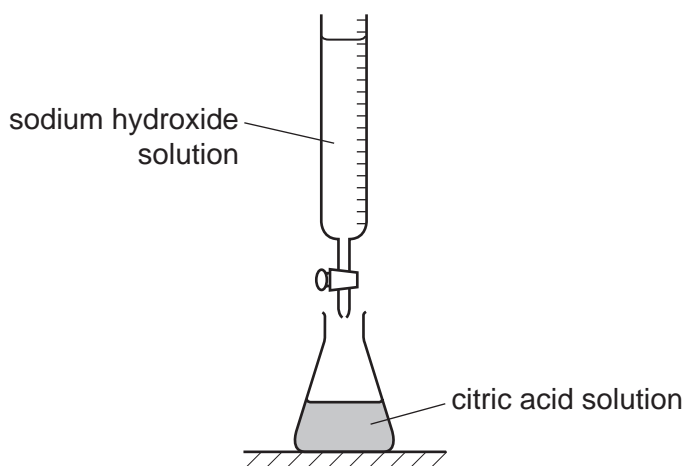
- (iii) Carbon dioxide gas is released when citric acid solution reacts with calcium carbonate.

Describe a test for carbon dioxide.

test

result [2]

- (d) The concentration of a citric acid solution can be found by carrying out a titration using the apparatus shown below.



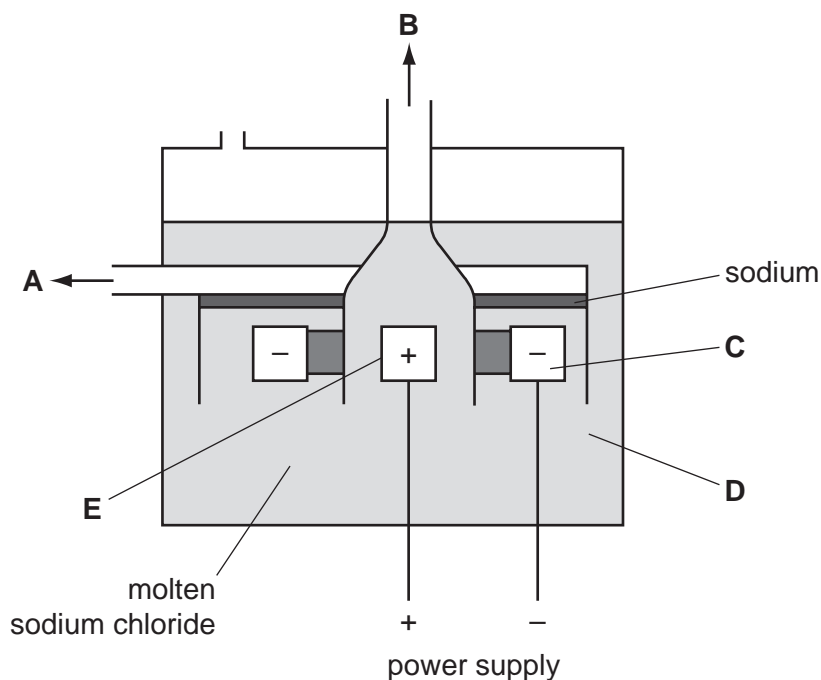
Describe how to carry out this titration.

.....
.....
.....
.....
..... [3]

[Total: 11]

- 8 The diagram shows an electrolysis cell for extracting sodium from molten sodium chloride.

For
Examiner's
Use



- (a) (i) Which letter on the diagram represents
the electrolyte?
- the cathode? [2]
- (ii) Which one of the following substances is most likely to be used as the anode?
Put a ring around the correct answer.
- graphite sodium sulfur zinc** [1]
- (b) What information from the diagram suggests that sodium is less dense than molten sodium chloride?
..... [1]
- (c) Predict the product formed at the anode during this electrolysis.
..... [1]
- (d) Name the gases formed at the anode and cathode when an **aqueous** solution of sodium chloride is electrolysed.
- product at the anode
- product at the cathode [2]

[Total: 7]

BLANK PAGE

BLANK PAGE

DATA SHEET
The Periodic Table of the Elements

		Group																																																																																																																																																																																																																																																																																																																																																																																																																																												
I	II	III	IV	V	VI	VII	0																																																																																																																																																																																																																																																																																																																																																																																																																																							
7 Li Lithium 3	9 Be Beryllium 4	1 H Hydrogen 1	11 B Boron 5	12 C Carbon 6	13 Al Aluminium 13	14 N Nitrogen 7	15 O Oxygen 8	16 F Fluorine 9	17 Ne Neon 10	18 Ar Argon 18	19 K Potassium 19	20 Ca Calcium 20	21 Sc Scandium 21	22 Ti Titanium 22	23 V Vanadium 23	24 Cr Chromium 24	25 Mn Manganese 25	26 Fe Iron 26	27 Co Cobalt 27	28 Ni Nickel 28	29 Cu Copper 29	30 Zn Zinc 30	31 Ga Gallium 31	32 Ge Germanium 32	33 As Arsenic 33	34 Se Selenium 34	35 Br Bromine 35	36 Kr Krypton 36	37 Rb Rubidium 37	38 Sr Strontium 38	39 Y Yttrium 39	40 Zr Zirconium 40	41 Nb Niobium 41	42 Mo Molybdenum 42	43 Tc Technetium 43	44 Ru Ruthenium 44	45 Rh Rhodium 45	46 Pd Palladium 46	47 Ag Silver 47	48 Cd Cadmium 48	49 In Indium 49	50 Sn Tin 50	51 Sb Antimony 51	52 Te Tellurium 52	53 I Iodine 53	54 Xe Xenon 54	55 Cs Caesium 55	56 Ba Barium 56	57 La Lanthanum 57	72 Hf Hafnium 72	73 Ta Tantalum 73	74 W Tungsten 74	75 Re Rhenium 75	76 Os Osmium 76	77 Ir Iridium 77	78 Pt Platinum 78	79 Au Gold 79	80 Hg Mercury 80	81 Tl Thallium 81	82 Pb Lead 82	83 Bi Bismuth 83	84 Po Polonium 84	85 At Astatine 85	86 Rn Radon 86	87 Fr Francium 87	88 Ra Radium 88	89 Ac Actinium 89	†	90 Th Thorium 90	91 Pa Protactinium 91	92 U Uranium 92	93 Np Neptunium 93	94 Pu Plutonium 94	95 Am Americium 95	96 Cm Curium 96	97 Bk Berkelium 97	98 Cf Californium 98	99 Es Einsteinium 99	100 Fm Fermium 100	101 Md Mendelevium 101	102 No Nobelium 102	103 Lr Lawrencium 103	104 Rf Rutherfordium 104	105 Db Dubnium 105	106 Sg Seaborgium 106	107 Bh Bohrium 107	108 Hs Hassium 108	109 Mt Meitnerium 109	110 Ds Darmstadtium 110	111 Rg Roentgenium 111	112 Cn Copernicium 112	113 Nh Nihonium 113	114 Fl Flerovium 114	115 Mc Moscovium 115	116 Lv Livermorium 116	117 Ts Tennessine 117	118 Og Oganesson 118	119 Uu Ununennium 119	120 Uub Unbibium 120	121 Uut Untrium 121	122 Uuq Unquadrium 122	123 Uuq Unquadrium 123	124 Uup Unpentium 124	125 Uuq Unquadrium 125	126 Uuq Unquadrium 126	127 Uup Unpentium 127	128 Uuq Unquadrium 128	129 Uup Unpentium 129	130 Uuq Unquadrium 130	131 Uup Unpentium 131	132 Uuq Unquadrium 132	133 Uup Unpentium 133	134 Uuq Unquadrium 134	135 Uup Unpentium 135	136 Uuq Unquadrium 136	137 Uup Unpentium 137	138 Uuq Unquadrium 138	139 Uup Unpentium 139	140 Uuq Unquadrium 140	141 Uup Unpentium 141	142 Uuq Unquadrium 142	143 Uup Unpentium 143	144 Uuq Unquadrium 144	145 Uup Unpentium 145	146 Uuq Unquadrium 146	147 Uup Unpentium 147	148 Uuq Unquadrium 148	149 Uup Unpentium 149	150 Uuq Unquadrium 150	151 Uup Unpentium 151	152 Uuq Unquadrium 152	153 Uup Unpentium 153	154 Uuq Unquadrium 154	155 Uup Unpentium 155	156 Uuq Unquadrium 156	157 Uup Unpentium 157	158 Uuq Unquadrium 158	159 Uuq Unquadrium 159	160 Uuq Unquadrium 160	161 Uuq Unquadrium 161	162 Uuq Unquadrium 162	163 Uuq Unquadrium 163	164 Uuq Unquadrium 164	165 Uuq Unquadrium 165	166 Uuq Unquadrium 166	167 Uuq Unquadrium 167	168 Uuq Unquadrium 168	169 Uuq Unquadrium 169	170 Uuq Unquadrium 170	171 Uuq Unquadrium 171	172 Uuq Unquadrium 172	173 Uuq Unquadrium 173	174 Uuq Unquadrium 174	175 Uuq Unquadrium 175	176 Uuq Unquadrium 176	177 Uuq Unquadrium 177	178 Uuq Unquadrium 178	179 Uuq Unquadrium 179	180 Uuq Unquadrium 180	181 Uuq Unquadrium 181	182 Uuq Unquadrium 182	183 Uuq Unquadrium 183	184 Uuq Unquadrium 184	185 Uuq Unquadrium 185	186 Uuq Unquadrium 186	187 Uuq Unquadrium 187	188 Uuq Unquadrium 188	189 Uuq Unquadrium 189	190 Uuq Unquadrium 190	191 Uuq Unquadrium 191	192 Uuq Unquadrium 192	193 Uuq Unquadrium 193	194 Uuq Unquadrium 194	195 Uuq Unquadrium 195	196 Uuq Unquadrium 196	197 Uuq Unquadrium 197	198 Uuq Unquadrium 198	199 Uuq Unquadrium 199	200 Uuq Unquadrium 200	201 Uuq Unquadrium 201	202 Uuq Unquadrium 202	203 Uuq Unquadrium 203	204 Uuq Unquadrium 204	205 Uuq Unquadrium 205	206 Uuq Unquadrium 206	207 Uuq Unquadrium 207	208 Uuq Unquadrium 208	209 Uuq Unquadrium 209	210 Uuq Unquadrium 210	211 Uuq Unquadrium 211	212 Uuq Unquadrium 212	213 Uuq Unquadrium 213	214 Uuq Unquadrium 214	215 Uuq Unquadrium 215	216 Uuq Unquadrium 216	217 Uuq Unquadrium 217	218 Uuq Unquadrium 218	219 Uuq Unquadrium 219	220 Uuq Unquadrium 220	221 Uuq Unquadrium 221	222 Uuq Unquadrium 222	223 Uuq Unquadrium 223	224 Uuq Unquadrium 224	225 Uuq Unquadrium 225	226 Uuq Unquadrium 226	227 Uuq Unquadrium 227	228 Uuq Unquadrium 228	229 Uuq Unquadrium 229	230 Uuq Unquadrium 230	231 Uuq Unquadrium 231	232 Uuq Unquadrium 232	233 Uuq Unquadrium 233	234 Uuq Unquadrium 234	235 Uuq Unquadrium 235	236 Uuq Unquadrium 236	237 Uuq Unquadrium 237	238 Uuq Unquadrium 238	239 Uuq Unquadrium 239	240 Uuq Unquadrium 240	241 Uuq Unquadrium 241	242 Uuq Unquadrium 242	243 Uuq Unquadrium 243	244 Uuq Unquadrium 244	245 Uuq Unquadrium 245	246 Uuq Unquadrium 246	247 Uuq Unquadrium 247	248 Uuq Unquadrium 248	249 Uuq Unquadrium 249	250 Uuq Unquadrium 250	251 Uuq Unquadrium 251	252 Uuq Unquadrium 252	253 Uuq Unquadrium 253	254 Uuq Unquadrium 254	255 Uuq Unquadrium 255	256 Uuq Unquadrium 256	257 Uuq Unquadrium 257	258 Uuq Unquadrium 258	259 Uuq Unquadrium 259	260 Uuq Unquadrium 260	261 Uuq Unquadrium 261	262 Uuq Unquadrium 262	263 Uuq Unquadrium 263	264 Uuq Unquadrium 264	265 Uuq Unquadrium 265	266 Uuq Unquadrium 266	267 Uuq Unquadrium 267	268 Uuq Unquadrium 268	269 Uuq Unquadrium 269	270 Uuq Unquadrium 270	271 Uuq Unquadrium 271	272 Uuq Unquadrium 272	273 Uuq Unquadrium 273	274 Uuq Unquadrium 274	275 Uuq Unquadrium 275	276 Uuq Unquadrium 276	277 Uuq Unquadrium 277	278 Uuq Unquadrium 278	279 Uuq Unquadrium 279	280 Uuq Unquadrium 280	281 Uuq Unquadrium 281	282 Uuq Unquadrium 282	283 Uuq Unquadrium 283	284 Uuq Unquadrium 284	285 Uuq Unquadrium 285	286 Uuq Unquadrium 286	287 Uuq Unquadrium 287	288 Uuq Unquadrium 288	289 Uuq Unquadrium 289	290 Uuq Unquadrium 290	291 Uuq Unquadrium 291	292 Uuq Unquadrium 292	293 Uuq Unquadrium 293	294 Uuq Unquadrium 294	295 Uuq Unquadrium 295	296 Uuq Unquadrium 296	297 Uuq Unquadrium 297	298 Uuq Unquadrium 298	299 Uuq Unquadrium 299	300 Uuq Unquadrium 300	301 Uuq Unquadrium 301	302 Uuq Unquadrium 302	303 Uuq Unquadrium 303	304 Uuq Unquadrium 304	305 Uuq Unquadrium 305	306 Uuq Unquadrium 306	307 Uuq Unquadrium 307	308 Uuq Unquadrium 308	309 Uuq Unquadrium 309	310 Uuq Unquadrium 310	311 Uuq Unquadrium 311	312 Uuq Unquadrium 312	313 Uuq Unquadrium 313	314 Uuq Unquadrium 314	315 Uuq Unquadrium 315	316 Uuq Unquadrium 316	317 Uuq Unquadrium 317	318 Uuq Unquadrium 318	319 Uuq Unquadrium 319	320 Uuq Unquadrium 320	321 Uuq Unquadrium 321	322 Uuq Unquadrium 322	323 Uuq Unquadrium 323	324 Uuq Unquadrium 324	325 Uuq Unquadrium 325	326 Uuq Unquadrium 326	327 Uuq Unquadrium 327	328 Uuq Unquadrium 328	329 Uuq Unquadrium 329	330 Uuq Unquadrium 330	331 Uuq Unquadrium 331	332 Uuq Unquadrium 332	333 Uuq Unquadrium 333	334 Uuq Unquadrium 334	335 Uuq Unquadrium 335	336 Uuq Unquadrium 336	337 Uuq Unquadrium 337	338 Uuq Unquadrium 338	339 Uuq Unquadrium 339	340 Uuq Unquadrium 340	341 Uuq Unquadrium 341	342 Uuq Unquadrium 342	343 Uuq Unquadrium 343	344 Uuq Unquadrium 344	345 Uuq Unquadrium 345	346 Uuq Unquadrium 346	347 Uuq Unquadrium 347	348 Uuq Unquadrium 348	349 Uuq Unquadrium 349	350 Uuq Unquadrium 350	351 Uuq Unquadrium 351	352 Uuq Unquadrium 352	353 Uuq Unquadrium 353	354 Uuq Unquadrium 354	355 Uuq Unquadrium 355	356 Uuq Unquadrium 356	357 Uuq Unquadrium 357	358 Uuq Unquadrium 358	359 Uuq Unquadrium 359	360 Uuq Unquadrium 360	361 Uuq Unquadrium 361	362 Uuq Unquadrium 362	363 Uuq Unquadrium 363	364 Uuq Unquadrium 364	365 Uuq Unquadrium 365	366 Uuq Unquadrium 366	367 Uuq Unquadrium 367	368 Uuq Unquadrium 368	369 Uuq Unquadrium 369	370 Uuq Unquadrium 370	371 Uuq Unquadrium 371	372 Uuq Unquadrium 372	373 Uuq Unquadrium 373	374 Uuq Unquadrium 374	375 Uuq Unquadrium 375	376 Uuq Unquadrium 376	377 Uuq Unquadrium 377	378 Uuq Unquadrium 378	379 Uuq Unquadrium 379	380 Uuq Unquadrium 380	381 Uuq Unquadrium 381	382 Uuq Unquadrium 382	383 Uuq Unquadrium 383	384 Uuq Unquadrium 384	385 Uuq Unquadrium 385	386 Uuq Unquadrium 386	387 Uuq Unquadrium 387	388 Uuq Unquadrium 388	389 Uuq Unquadrium 389	390 Uuq Unquadrium 390	391 Uuq Unquadrium 391	392 Uuq Unquadrium 392	393 Uuq Unquadrium 393	394 Uuq Unquadrium 394	395 Uuq Unquadrium 395	396 Uuq Unquadrium 396	397 Uuq Unquadrium 397	398 Uuq Unquadrium 398	399 Uuq Unquadrium 399	400 Uuq Unquadrium 400	401 Uuq Unquadrium 401	402 Uuq Unquadrium 402	403 Uuq Unquadrium 403	404 Uuq Unquadrium 404	405 Uuq Unquadrium 405	406 Uuq Unquadrium 406	407 Uuq Unquadrium 407	408 Uuq Unquadrium 408	409 Uuq Unquadrium 409	410 Uuq Unquadrium 410	411 Uuq Unquadrium 411	412 Uuq Unquadrium 412	413 Uuq Unquadrium 413	414 Uuq Unquadrium 414	415 Uuq Unquadrium 415	416 Uuq Unquadrium 416	417 Uuq Unquadrium 417	418 Uuq Unquadrium 418	419 Uuq Unquadrium 419	420 Uuq Unquadrium 420	421 Uuq Unquadrium 421	422 Uuq Unquadrium 422	423 Uuq Unquadrium 423	424 Uuq Unquadrium 424	425 Uuq Unquadrium 425	426 Uuq Unquadrium 426	427 Uuq Unquadrium 427	428 Uuq Unquadrium 428	429 Uuq Unquadrium 429	430 Uuq Unquadrium 430	431 Uuq Unquadrium 431	432 Uuq Unquadrium 432	433 Uuq Unquadrium 433	434 Uuq Unquadrium 434	435 Uuq Unquadrium 435	436 Uuq Unquadrium 436	437 Uuq Unquadrium 437	438 Uuq Unquadrium 438	439 Uuq Unquadrium 439	440 Uuq Unquadrium 440	441 Uuq Unquadrium 441	442 Uuq Unquadrium 442	443 Uuq Unquadrium 443	444 Uuq Unquadrium 444	445 Uuq Unquadrium 445	446 Uuq Unquadrium 446	447 Uuq Unquadrium 447	448 Uuq Unquadrium 448	449 Uuq Unquadrium 449	450 Uuq Unquadrium 450	451