



# Cambridge IGCSE™

CANDIDATE  
NAME

CENTRE  
NUMBER

--	--	--	--	--

CANDIDATE  
NUMBER

--	--	--	--



## PHYSICS

0625/62

Paper 6 Alternative to Practical

May/June 2023

1 hour

You must answer on the question paper.

No additional materials are needed.

### INSTRUCTIONS

- Answer **all** questions.
- Use a black or dark blue pen. You may use an HB pencil for any diagrams or graphs.
- Write your name, centre number and candidate number in the boxes at the top of the page.
- Write your answer to each question in the space provided.
- Do **not** use an erasable pen or correction fluid.
- Do **not** write on any bar codes.
- You may use a calculator.
- You should show all your working and use appropriate units.

### INFORMATION

- The total mark for this paper is 40.
- The number of marks for each question or part question is shown in brackets [ ].

This document has **12** pages. Any blank pages are indicated.

- 1 A student investigates the stretching of a spring.

Fig. 1.1 shows the set-up.

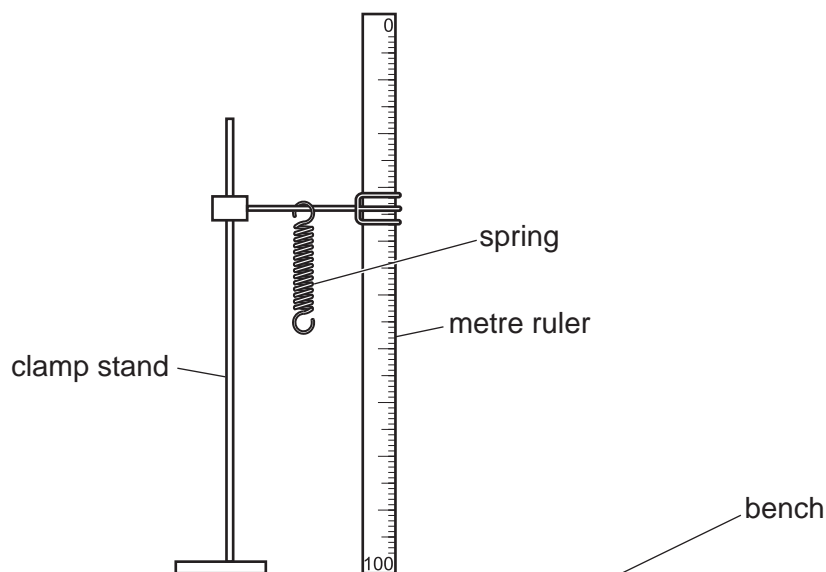


Fig. 1.1

- (a) The value  $l_0$  is the length of the spring when the load  $L$  is 0.0 N.

The student measures the length  $l_0$  of the spring. She records  $l_0 = 16$  mm in Table 1.1.

Draw a diagram of the spring to show clearly the length  $l_0$  of the spring.

[1]

- (b) The student suspends a load  $L = 0.20$  N from the spring. She records the new length  $l$  of the spring in Table 1.1.

She repeats the procedure using loads  $L = 0.40$  N,  $0.60$  N,  $0.80$  N and  $1.00$  N. The readings are shown in Table 1.1.

- (i) Calculate the extension  $e$  of the spring for each load using the equation  $e = (l - l_0)$ .

Record the values of  $e$  in Table 1.1.

[2]

(ii) Complete the column headings in Table 1.1.

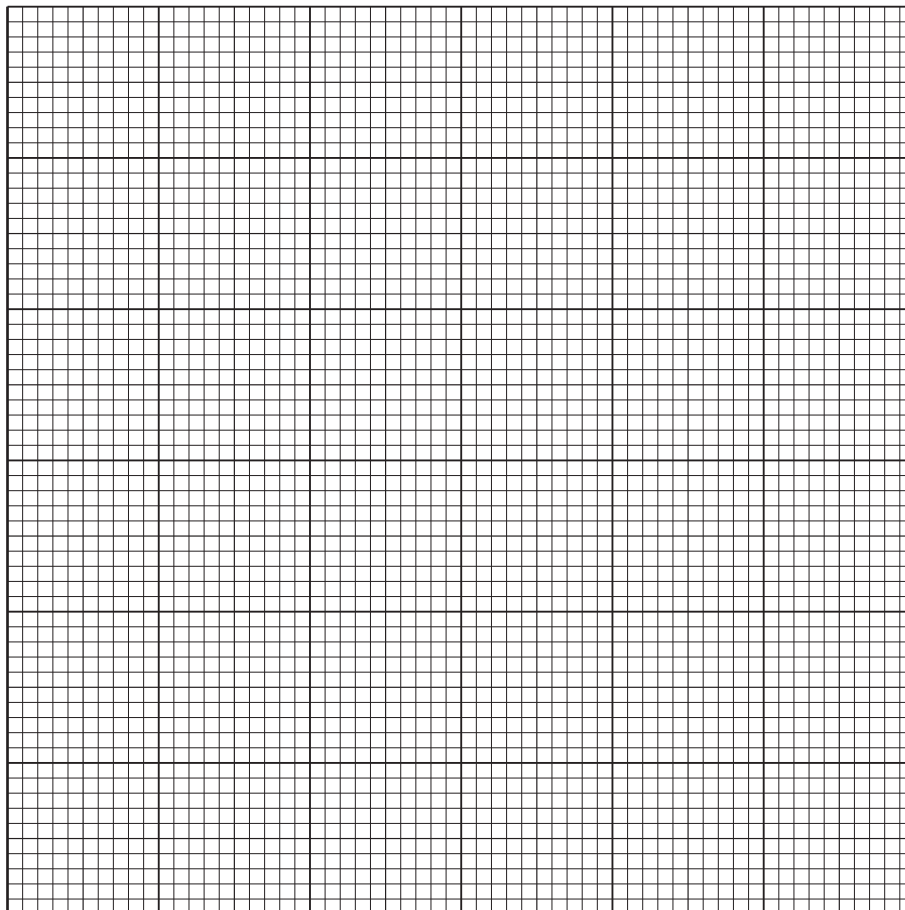
**Table 1.1**

$L/$	$l/$	$e/$
0.00	16	0
0.20	18	
0.40	21	
0.60	23	
0.80	24	
1.00	26	

[1]

(c) Plot a graph of  $L$  ( $y$ -axis) against  $e$  ( $x$ -axis).

Draw the best-fit line.



[4]

(d) Use the graph to determine  $e_A$ , the extension produced by a load of 0.50 N. Show clearly on the graph how you obtained the necessary information.

$e_A = \dots\dots\dots$  [3]

[Total: 11]

- 2 A student investigates the cooling of water.

Fig. 2.1 shows the set-up.

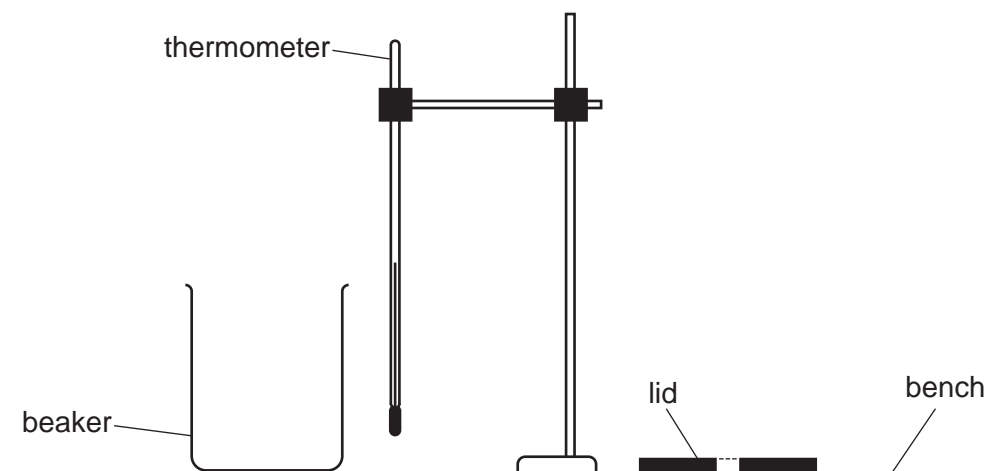


Fig. 2.1

- (a) The thermometer in Fig. 2.2 shows the room temperature  $\theta_R$  at the beginning of the experiment. Record  $\theta_R$ .

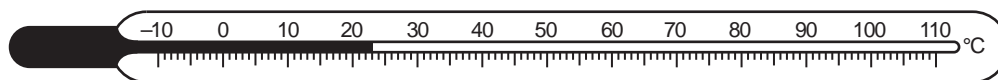


Fig. 2.2

$$\theta_R = \dots\dots\dots [1]$$

- (b) The student pours  $200\text{ cm}^3$  of hot water into a beaker. He places a lid on the beaker. He places the thermometer in the hot water in the beaker.

He records, in Table 2.1, the temperature  $\theta$  of the hot water at time  $t = 0$ . He immediately starts a stop-watch.

He continues recording the temperature in Table 2.1 at 30s intervals until he has seven sets of readings.

- (i) Complete the column headings in Table 2.1. [1]
- (ii) Write the times in the first column of Table 2.1.

**Table 2.1**

$t/$	$\theta/$
	92
	87
	83
	80
	78
	76
	75

[1]

- (c) (i) Calculate the decrease in temperature  $\Delta\theta$  between  $t = 0$  and  $t = 180\text{ s}$ .

$$\Delta\theta = \dots\dots\dots [1]$$

- (ii) Calculate the average rate of cooling  $R$  of the water using the equation  $R = \frac{\Delta\theta}{\Delta t}$ , where  $\Delta t = 180\text{ s}$ . Include the unit.

$$R = \dots\dots\dots [2]$$

- (d) A student states that the water cools slowly.

Suggest **two** changes to the experiment that the student makes to increase the rate of cooling of the hot water without changing the starting temperature of the hot water. Room temperature remains constant.

1 .....

.....

2 .....

.....

[2]

- (e) State **one** precaution that you would take to obtain accurate temperature readings.

Explain briefly the reason for this precaution.

statement .....

explanation .....

.....

..... [2]

- (f) The student uses a measuring cylinder to measure  $200\text{ cm}^3$  of water. He takes the reading from the bottom of the meniscus.

Explain the reason for taking the reading at the bottom of the meniscus rather than at the top of the meniscus.

.....

..... [1]

[Total: 11]

- 3 A student investigates the refraction of light using a semicircular transparent block.

Fig. 3.1 shows her ray-trace sheet.

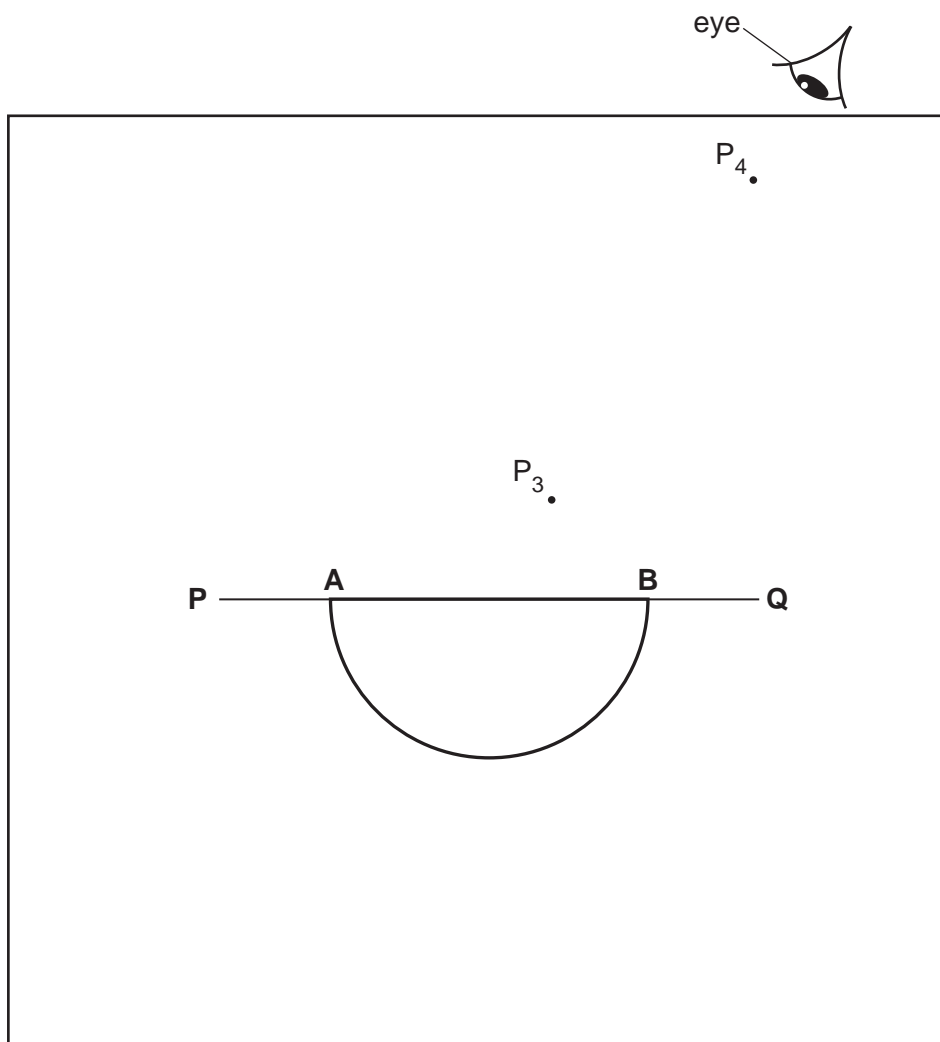


Fig. 3.1

- (a) (i) • Draw a normal **NL** through the centre of **AB**.  
 • Continue the normal so that it passes through the curved side of the block.  
 • Label the normal **NL**.  
 • Label the point **C** where the normal **NL** crosses **AB**. [1]
- (ii) • Draw a line **DC**, below line **PC**, at an angle  $i = 20^\circ$  to the normal and to the left of the normal. [1]
- (iii) • Mark with neat crosses (X) the positions for two pins on line **DC** at a suitable distance apart for this type of ray-trace experiment.  
 • Label the positions  $P_1$  and  $P_2$ . [1]

- (b) The student looks from the position of the eye shown in Fig. 3.1, to observe the images of  $P_1$  and  $P_2$  through side **AB** of the block. She adjusts her line of sight until the images of  $P_1$  and  $P_2$  appear one behind the other.

She places two pins,  $P_3$  and  $P_4$ , between her eye and the block so that  $P_3$ ,  $P_4$ , and the images of  $P_1$  and  $P_2$  seen through the block, appear one behind the other.

The positions of  $P_3$  and  $P_4$  are shown in Fig. 3.1.

- (i) • Draw a line joining the positions of  $P_3$  and  $P_4$ . Continue the line to **AB**.  
• Label **E**, the end of the line furthest from **AB**.

[1]

- (ii) Measure the acute angle  $\theta$  between the line **NL** and the line **EC**. (An acute angle is less than  $90^\circ$ .)

$\theta = \dots\dots\dots$  [2]

- (c) State **one** precaution that the student takes to produce an accurate ray trace.

.....  
..... [1]

- (d) The student replaces the transparent block on the ray-trace sheet in the position shown in Fig. 3.2.

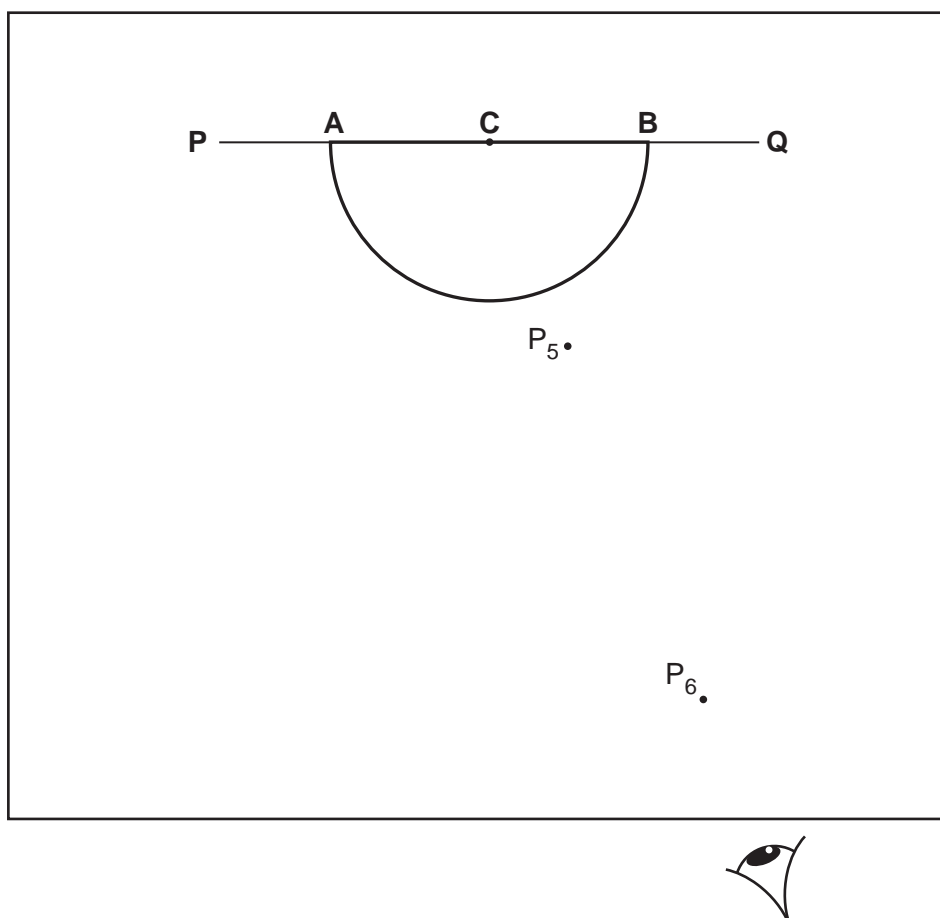


Fig. 3.2



She replaces pins  $P_1$  and  $P_2$  on line **DC** in the same positions used in **(a)(iii)**.

She observes the images of  $P_1$  and  $P_2$  through the curved side of the block. She adjusts her line of sight until the images of  $P_1$  and  $P_2$  appear one behind the other.

She places two pins,  $P_5$  and  $P_6$ , between her eye and the block so that  $P_5$ ,  $P_6$ , and the images of  $P_1$  and  $P_2$  seen through the block, appear one behind the other.

The positions of  $P_5$  and  $P_6$  are shown on Fig. 3.2.

- (i)**
- Draw a line joining the positions of  $P_5$  and  $P_6$ . Continue the line to **C**.
  - Label **G**, the end of the line furthest from **AB**.

Measure the acute angle  $\alpha$  between the line **AB** and the line **GC**. (An acute angle is less than  $90^\circ$ .)

$$\alpha = \dots\dots\dots [1]$$

- (ii)** Calculate the angle  $\beta$  between the line **GC** and the normal **NL**.

$$\beta = \dots\dots\dots [1]$$

- (e)** A student suggests that angle  $\beta$  should be equal to the angle of incidence  $i = 20^\circ$ .

State whether your result supports the suggestion and justify your answer.

statement .....

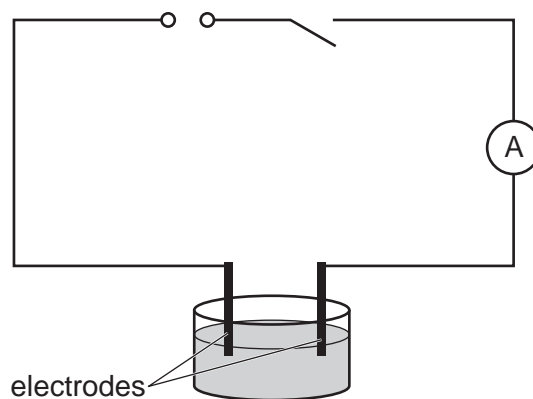
justification .....

.....

..... [2]

[Total: 11]

- 4 A student investigates the change in current in a conducting liquid as the distance between two electrodes is changed. The circuit is shown in Fig. 4.1.



**Fig. 4.1**

Plan an experiment to investigate the change in current in the liquid as the distance between the electrodes is changed.

You should:

- explain briefly how to do the investigation
- state the key variables to keep constant
- draw a table, or tables, with column headings, to show how to display your readings (you are **not** required to enter any readings in the table)
- explain how to use your readings to reach a conclusion.



**BLANK PAGE**

---

Permission to reproduce items where third-party owned material protected by copyright is included has been sought and cleared where possible. Every reasonable effort has been made by the publisher (UCLES) to trace copyright holders, but if any items requiring clearance have unwittingly been included, the publisher will be pleased to make amends at the earliest possible opportunity.

To avoid the issue of disclosure of answer-related information to candidates, all copyright acknowledgements are reproduced online in the Cambridge Assessment International Education Copyright Acknowledgements Booklet. This is produced for each series of examinations and is freely available to download at [www.cambridgeinternational.org](http://www.cambridgeinternational.org) after the live examination series.

Cambridge Assessment International Education is part of Cambridge Assessment. Cambridge Assessment is the brand name of the University of Cambridge Local Examinations Syndicate (UCLES), which is a department of the University of Cambridge.